

GIANT

FINISHING, INC.

TT-125

Manual Wastewater Treatment

Standard Features

- Economical with Small Footprint Manual System
- Maximum Throughput: 180 gph
- 200-Gallon Holding Tank
- 100-Gallon Treatment Tank
- 100-Gallon Clean Water Tank
- 1/4 Cubic Yard Dumpster
- Pre-Plumbed Transfer Pump (Holding Tank to Treatment Tank)
- U.L. Approved Control Panel
- 1 Horsepower Heavy Duty Agitator with Jet Basket
- **Equipment Measurements:** Length: 5', Width: 5'2", Height: 6'4", Weight: Approximately 1,100 lbs.

Optional Features

- Influent Pump
- Effluent Pump
- Belt Oil Skimmer for Holding Tank
- Stainless Steel Construction



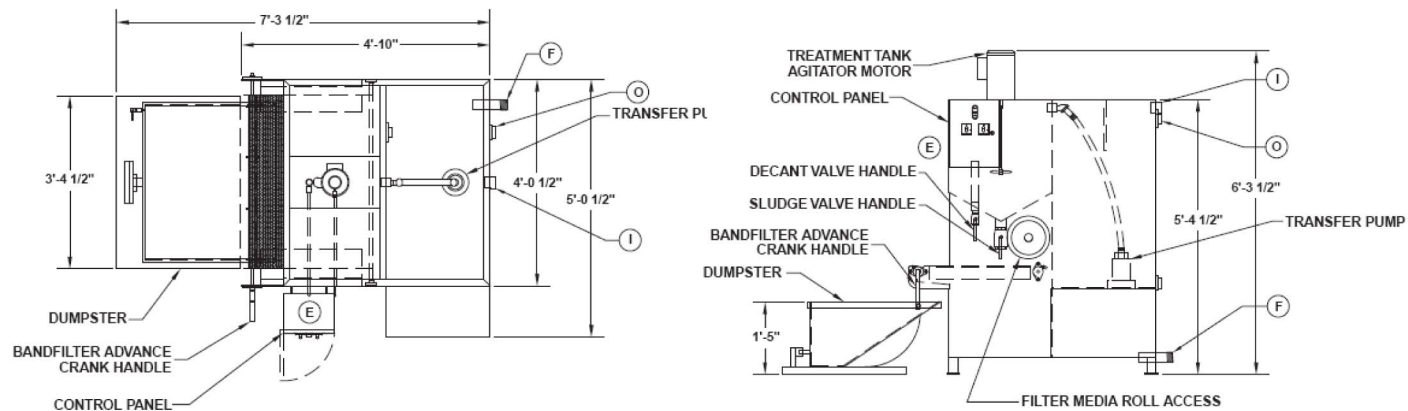
GIANT FINISHING, 2040 N JANICE, MELROSE PARK, IL, 60160
PHONE (708) 343-6900 / (800) 404-4265 FAX (708) 343-6920
WWW.GIANTFINISHING.COM

GIANT

FINISHING, INC.

TT-125

Manual Wastewater Treatment



Service Requirements

- E 115 VAC, 20 AMP, Grounded Single Phase Power for Control Panel Plug.
- F 2" MNPT Discharge to Sewer Connection.
- I 2" FNPT Influent Water Connection.
- O 2" FNPT Holding Tank Overflow Connection.